

## AIR CIRCULATOR

### APPLICATION

High volume axial fans suitable for wall installation with the motorised shutter (accessory on request) to extract air or for suspended installation at ceiling/beam with the anti-bird or safety guards (accessory on request) to create a uniform indoor climate and to recirculate air in commercial and industrial buildings, dairy, barns and greenhouses.

### CONSTRUCTION

- Casing made from galvanised steel.
- Adjustable pitch aerofoil impellers are provided with blades made from high quality glass reinforced Polypropylene.
- Hubs manufactured from die cast aluminum alloy.
- Assembled impellers to be dynamically balanced to ISO 14694 Grade G6.3.
- Conveyor made from technopolymer for ease of cleaning and not susceptible to corrosion.
- High efficiency one-phase EC brushless motor, 220-277Vac, 50/60Hz, IP55, with integrated electronic system and EMC filters. Suitable for S1 continuous service. Speed controllable.

### FEATURES & BENEFITS

- Effective in preventing thermal stress: it helps to increase the heat loss by removing the warm air layer surrounding the occupants body and to increase evaporation, with benefits for latent heat loss.
- Ideal for in-line installation on the feed lane and on the rest/waiting area in dairy applications (the so-called "wind channel" ventilation).
- Top silent operation thanks to the gearless motor and the special airfoil design.
- No ordinary maintenance.
- Robust galvanised steel motor support structure for long life.
- Impellers are factory set at an angle to provide maximum performance.
- Eyebolt hooks to simplify hanging and inclined installation.
- Integrated EMC filters to prevent electromagnetic interference from other devices.
- Fans are suitable for operating temperatures from -20°C to +50°C.
- Unit performances are tested to the latest standard meaning accurate information that can be relied upon.
- Designed and manufactured in accordance with Machinery Directive (MD), Low Voltage Directive (LVD), Electromagnetic Compatibility Directive (EMC) and Regulation 327/2011 (ErP Directive).

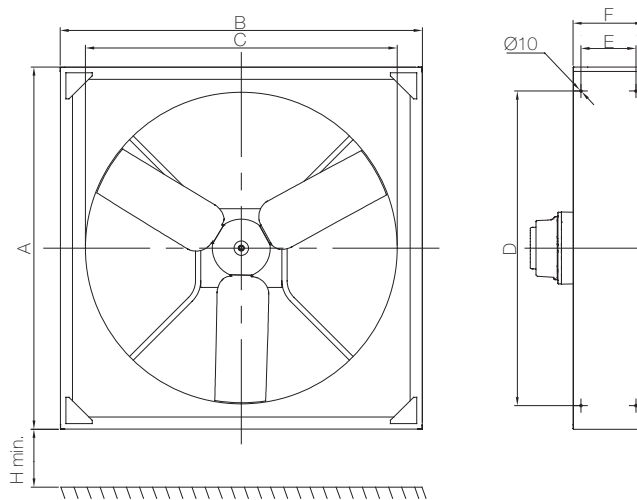
### ACCESSORIES

- Motorised shutter with actuator for wall installation.
- Motor or impeller side bird guard in galvanised steel.
- Motor or impeller side safety guard in galvanised steel.
- Remote controllers.

## Performance @ 400Vac 50Hz

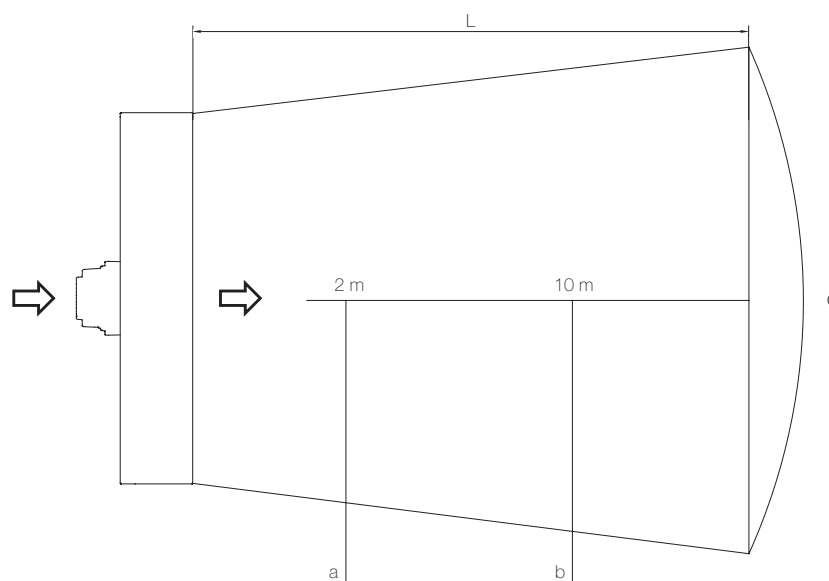
Description	Fan diameter	Max Rotation Speed	Max Thrust	Max Electric power	Max Air Flow AMCA 230-15			Max Air Flow AMCA 230-99		
					cfm	m <sup>3</sup> /h	SPI W/(m <sup>3</sup> /s)	cfm	m <sup>3</sup> /h	SPI W/(m <sup>3</sup> /s)
AD1400B	1170	500	105	1400	20551	34917	144,3	29064	49380	102,1

## Dimensions (mm) and Weight (kg)



Description	A	B	C	D	E	F	H min.	Weight
AD1400B	1382	1382	1190	1200	210	270	2700	52

## Velocity pattern



Description	Q [m <sup>3</sup> /h]	α	L @ air velocity = 0,2 m/s [m]	Air velocity @ 2m [m/s]	Air velocity (10m) [m/s]
AD1400B	34517	50°	28	5,8	2,5

# AD1400B

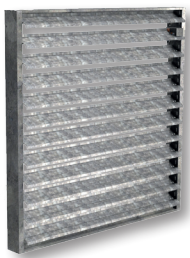
## ACCESSORIES

Description		Shutter with actuator		Motor side bird guard		Impeller side bird guard		Motor side safety guard		Impeller side safety guard		Potentiometer
	Description	Code	Description	Code	Description	Code	Description	Code	Description	Code	Descrizione	Codice
AD1400B	ES1400A	005743	GRD-BM	003613	GRD-BV	005440	GRD-SM	005437	GRD-SV	005439	CTRL-A2	005667

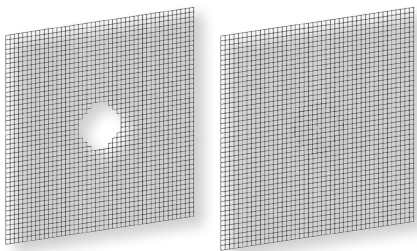
Description		Potentiometer		Control panel		Anemometer		Temperature probe		Control panel	Humidity probe	
	Descrizione	Codice	Descrizione	Codice	Descrizione	Codice	Descrizione	Codice	Descrizione	Codice	Descrizione	Codice
AD1400B	CTRL-A	002049	CTRL-XWS	005324	AN-SY	002741	SV-10K	005327	CTRL-XTHI	005324	YGRO-100	005326

### Shutter with actuator for wall mounting



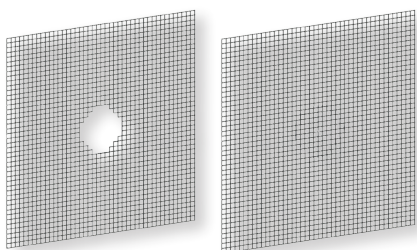
- Shutter with actuator for wall mounting.
- Galvanised steel structure for high resistance.
- Strong fixing brackets for wall mounting.
- Actuator: 1.5W max - 100-240V 50/60Hz.

### GRD-B



- Bird guard in galvanised steel for motor/impeller side installation.
- Supplied with hooks and fixing screws.

### GRD-S



- Safety guard in galvanised steel for motor/impeller side installation.
- Supplied with hooks and fixing screws.

## CTRL-A2



- Potentiometer with front knob to adjust the motor speed
- Provided with 2-pole switches (ON/OFF): one for the fan and one for the shutter activation.
- Front yellow led to indicate that the load is active
- Controls one fan only
- 230V~ 50/60Hz
- Supplied with IP55 wall surface box

## CTRL-A



- Potentiometer with front knob to adjust the motor speed
- Provided with two-pole switch (ON/OFF)
- Front yellow led to indicate that the load is active
- Controls one fan only
- 230V~ 50/60Hz
- Supplied with IP55 wall surface box

## CTRL-XWS



AN-SY

SV-10K

- To control the ventilation units according to temperature and wind speed.
- Three operating modes:
  - Mode A: control of ventilation according to wind speed by means of an anemometer (accessory on request) and blocking of the fan according to temperature
  - Mode B: control of ventilation according to room temperature using 1 temperature probe (supplied as standard) and blocking of the fan according to wind speed
  - Mode C: control of ventilation according to room temperature by means of 2 temperature probes (additional temperature probe on request) to manage winter destratification and summer comfort ventilation
- Regulation 0-10V
- 230Vac - 50/60Hz
- Can control up to 10 units
- IP65 wall-mounted casing
- Dimensions: 160x110x81 mm
- 1 temperature probe included
- Wind speed probe (anemometer) available on request
- Additional temperature probe for operating Mode C available on request

## CTRL-XTHI



- To control the ventilation units according to temperature and THI level.
- Shower control and auxiliary ventilation activation.
- Regulation 0-10V
- 230Vac - 50/60Hz
- Can control up to 10 units
- IP65 wall-mounted casing
- Dimensions: 160x110x81 mm
- Temperature probe included
- Humidity probe available on request